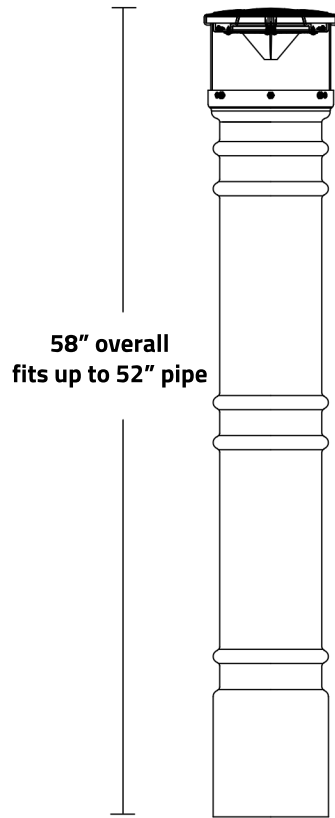
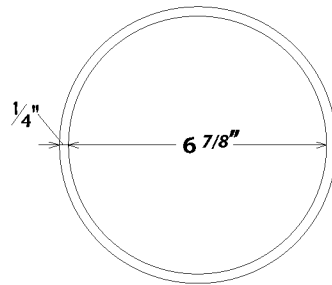


6" UV Lighted Bollard Product Specifications



Steel Pipe ID = 6"
 Steel Pipe OD = 6.625"
 Ideal Sleeve ID = 6 7/8"



Cross Section of Sleeve

Color: _____
 Standard Colors: Yellow, Red, Black, Blue, Brown, Gray, Green, Orange, & White

Custom Color: Pantone®/Sherwin Williams® # _____
 (if applicable)

Quantity: _____

Name: _____

Address: _____

City, State, Zip: _____

Phone: _____

Email: _____

NO.	REVISIONS	DATE	APPROVED



PROJECT

CUSTOMER

DESCRIPTION
6" UV Lighted Bollard

DRAWN BY	APPROVED BY	DATE
PROJECT NO.	SCALE	
TITLE	DRAWING TBL	
MATERIAL	SHEET	OF