

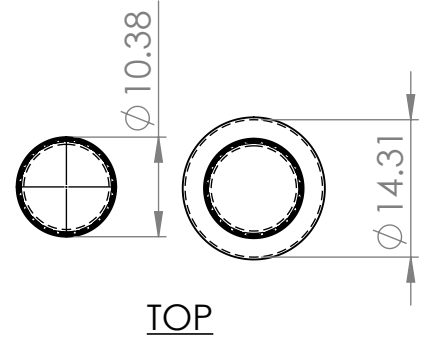
2

1



# IDEAL SHIELD DECORATIVE 8" ROOK 1/4" BOLLARD COVER SPECIFICATION SHEET

IDEAL SHIELD  
2525 CLARK STREET  
DETROIT, MICHIGAN  
48209  
1-866-825-8659  
IDEALSHIELD.COM



FLARED BASE CUT OFF

TOP

B

**SPECIFICATIONS:**

PRODUCT DESIGNED TO COVER A 8" PROTECTIVE PIPE BOLLARD AND PROVIDE A STYLIZED AESTHETIC.  
LARGE FLARED BASE CAN COVER SURFACE MOUNT BOLLARD IF REQUIRED

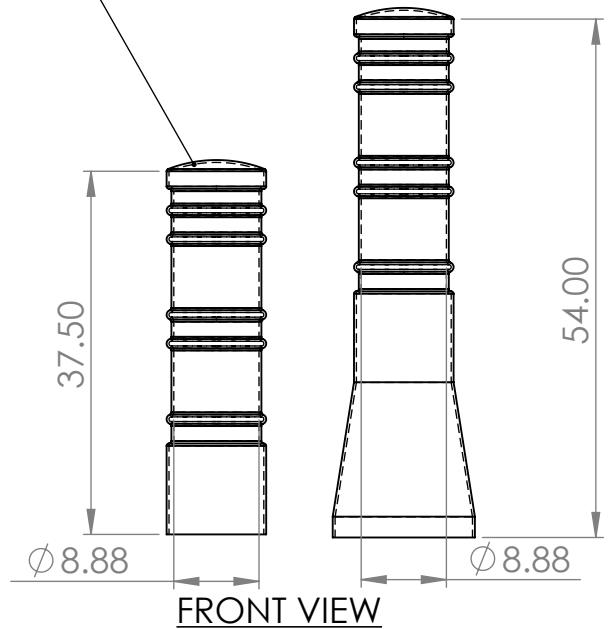
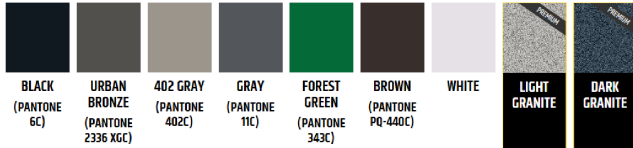
**-SIZE:**

COVER UP TO 54" TALL - 8" SCH PIPE(8 5/8" OD), WILL CUT TO ANY PIPE HEIGHT

**-MATERIAL:**

THERMOPLASTIC POLYETHYLENE W/ ULTRAVIOLET PROTECTION AND ANTISTATIC ADDITIVES

COLOR: 13 STOCK STANDARD COLORS AVAILABLE  
(BLACK, URBAN BRONZE, 402 GRAY, GRAY, FOREST GREEN, BROWN, WHITE, LIGHT GRANITE, DARK GRANITE)  
ANY COLOR MATCH AVAILABLE WITH PANTONE NUMBER



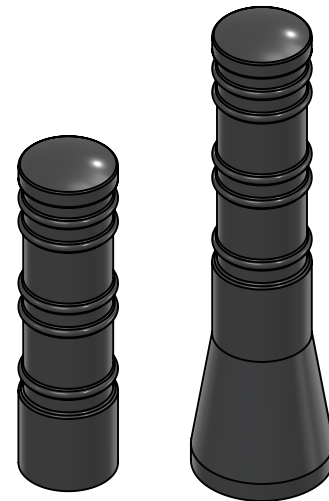
INSTALLATION STRIPS: 2 TWO NEOPRENE ADHESIVE FOAM TAPE

**-INSTALLATION:**

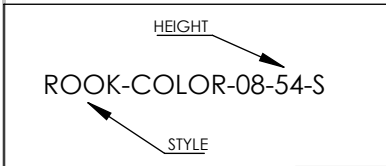
1. REMOVE BACKING FROM THE ADHESIVE TAPE AND WRAP AROUND STEEL BOLLARD APPROXIMATELY 6" FROM THE TOP. MAKE SURE TO LEAVE A 1" GAP BETWEEN ENDS OF TAP TO ALLOW AIRFLOW WHILE INSTALLING THE COVER
2. REMOVE THE BACK OF THE SECOND ADHESIVE TAPE STRIP AND WRAP FIRMLY AROUND THE BOTTOM OF THE POST, APPROXIMATELY 6" FROM THE BOTTOM.
3. WITH TAPE IN PLACE SLIDE THE COVER SLOWLY ON THE BOLLARD

A

A



PART NUMBER DESCRIPTION:



THIS DRAWING AND ALL THE INFORMATION THEREON IS THE PROPERTY OF THE IDEAL SHIELD, IS CONFIDENTIAL AND MUST NOT BE MADE PUBLIC, NOR COPIED, NOR USED, TO THE DISADVANTAGE OF SAID IDEAL SHIELD AND IS SUBJECT TO RETURN ON DEMAND  
COPYRIGHT 2003 IDEAL SHIELD

TITLE: <b>8" ROOK DECORATIVE BOLLARD COVER</b>	
DWG NO. <b>ROOK-COLOR-08-HEIGHT-S</b>	<b>A</b>
SCALE: 1:20	SHEET 1 OF 1

2

1