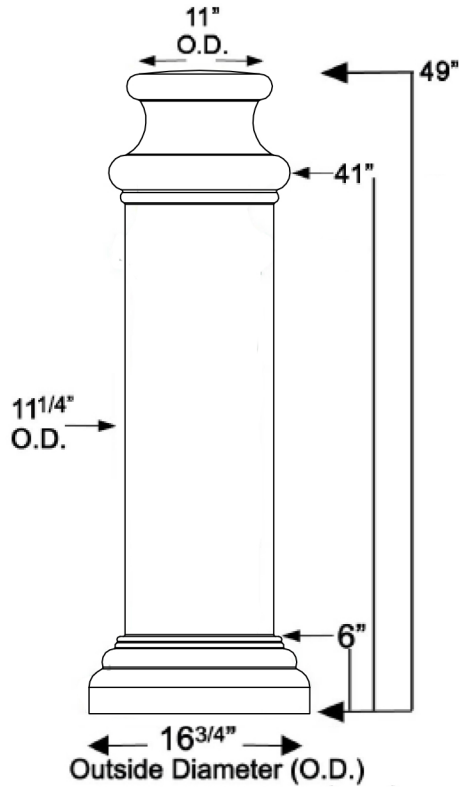
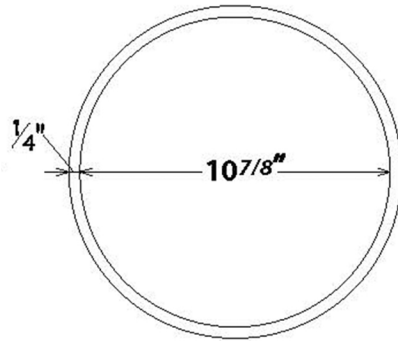


10" Pawn Decorative Bollard Product Specifications



Steel Pipe ID = 10"
Steel Pipe OD = 10.75"
Ideal Sleeve ID = 10 7/8"



Cross Section of Sleeve

10" pipe up to 41" tall
8" pipe up to 41" tall
6" pipe up to 48" tall

Color: _____
Standard Colors: Yellow, Red, Black, Blue, Brown, Gray, Green, Orange, & White

Custom Color: Pantone®/Sherwin Williams® # _____
(if applicable)

Quantity: _____

Name: _____

Address: _____

City, State, Zip: _____

Phone: _____

Email: _____

1-800-914-4771 ▪ sales@bollardsandsleeves.com ▪ www.bollardsleeves.com

NO.	REVISIONS	DATE	APPROVED	PROJECT	CUSTOMER	DESCRIPTION	DRAWN BY:	APPROVED BY:	DATE:
						10" Pawn Decorative Bollard			
							PROJECT NO:		SCALE
							DRAWING NO:		
							SHEET		OF 1

**BoLLARDS
AND SLEEVES LLC**